




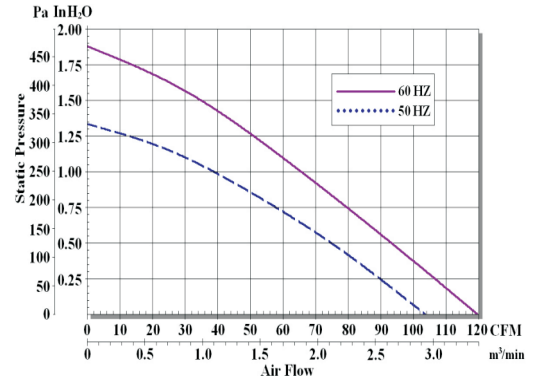
# BA22C56T Series

AC Blower

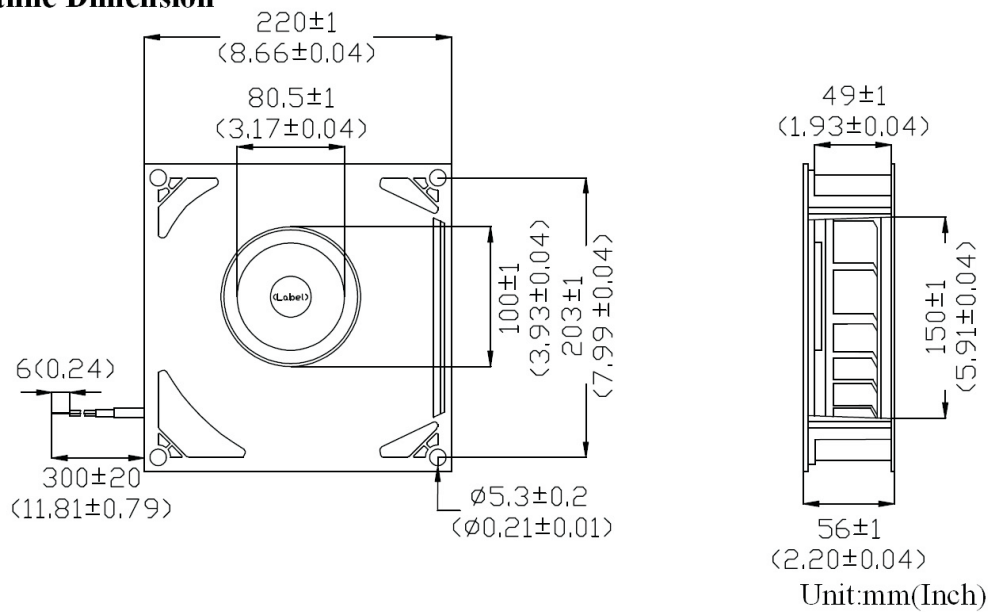
220x220x56mm

## Specification:

- **Air Flow** : 103 ~ 120 CFM
- **Housing** : Spiral Housing of Fiberglass-Reinforced Polycarbonate  
Housing Base of Galvanized Steel Plate
- **Impeller** : Fiberglass-Reinforced Polycarbonate
- **Bearing** : Ball or Sleeve
- **Termination** : Lead Wire
- **Operating Voltage Range** : 85VAC to 125VAC for 115V Type  
185VAC to 245 VAC for 230V Type
- **Insulation** : Class "B" or "F"
- **Safety** : Impedance Protected
- **Operating Temperature** : -10°C to + 70°C for Sleeve Type  
-20°C to + 80°C for Ball Type
- **Weight** : 1.75kg
- **Approval** : 



## Outline Dimension



Item Code	Rated Voltage	Frequency (Hz)	Rated Current(A)	Input Power(W)	Max. Air Flow		Noise dB(A)	Capacitor ( $\mu F$ )
					CFM	m <sup>3</sup> /min		
BA1V22C56T-1C	115V	50/60	0.34/0.42	37/45	103/117	2.92/3.32	64/66	6 $\mu F$ /250VAC
BA2V22C56T-1C	230V	50/60	0.16/0.20	36/44	104/120	2.94/3.39	64/66	1.5 $\mu F$ /450VAC